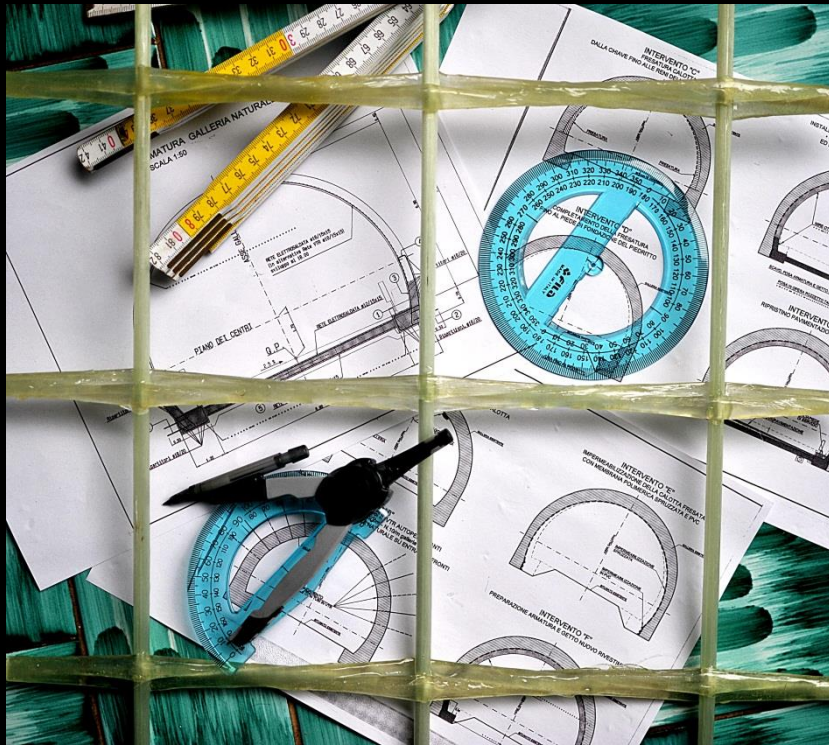


ATP

V[∞]RockWireNet

Monolithic Reinforcing NET

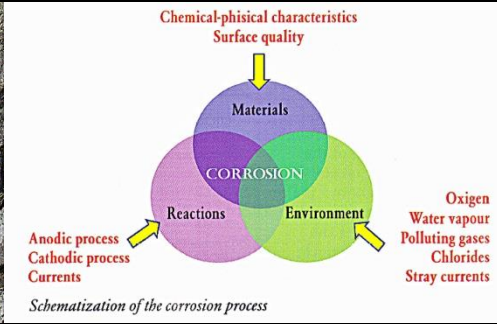
made of thermo-set resin reinforced
with continuous glass fibers



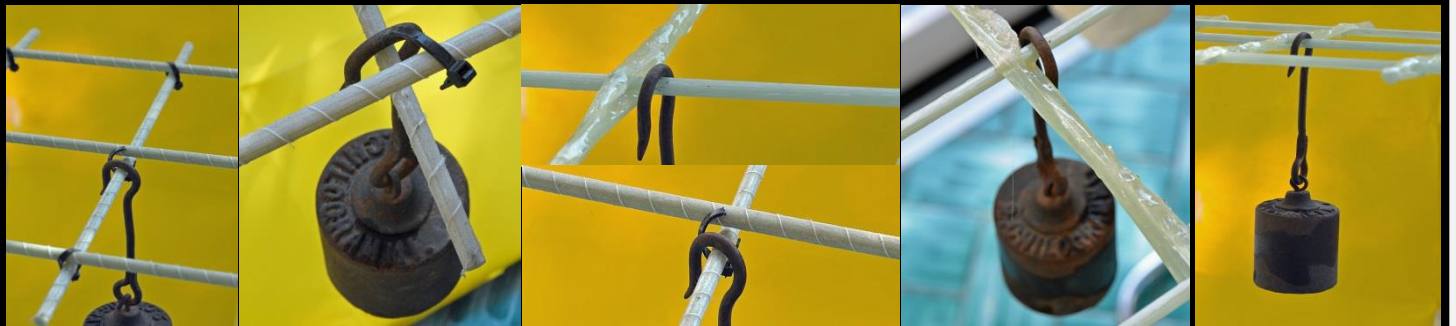
C i v i l W o r k s d i v i s i o n

ATP

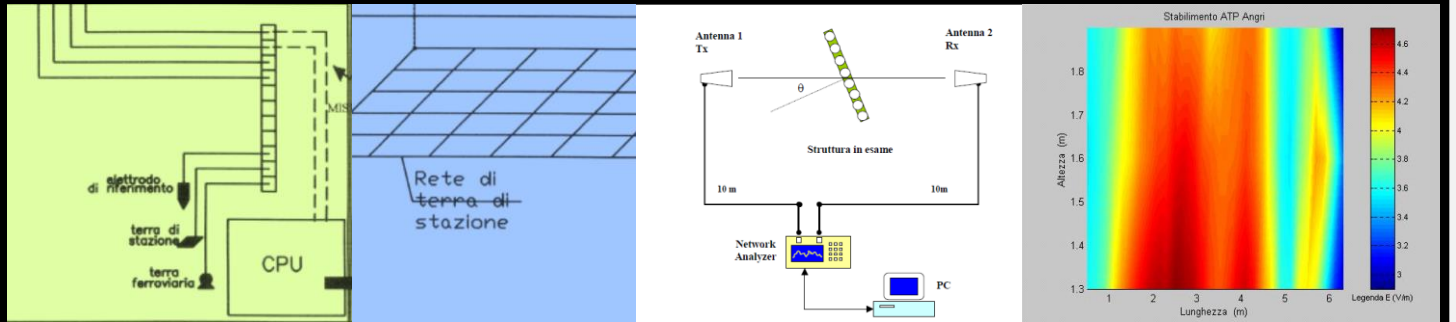
corrosion resistant



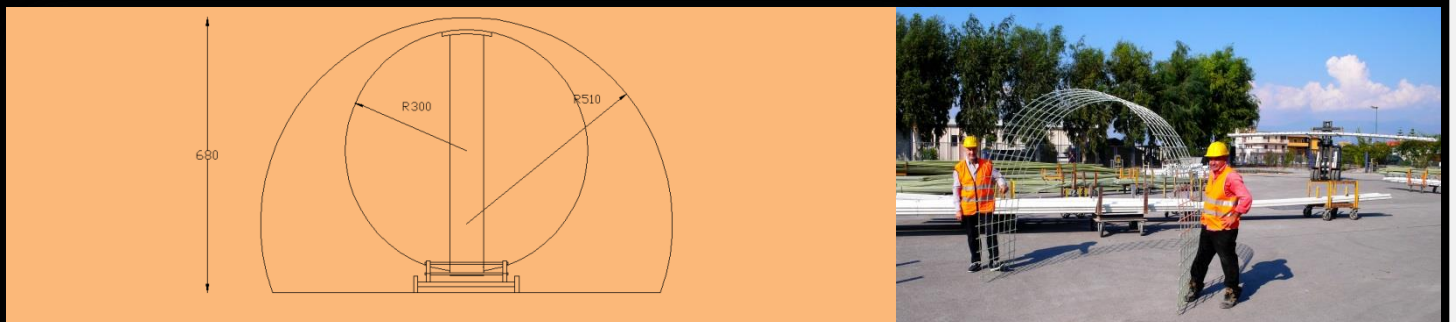
strong structural tie joint



dielectric and radio-transparent



flexible and lightweight



Standard wire net dimensions

Geometrical and Physical Characteristics

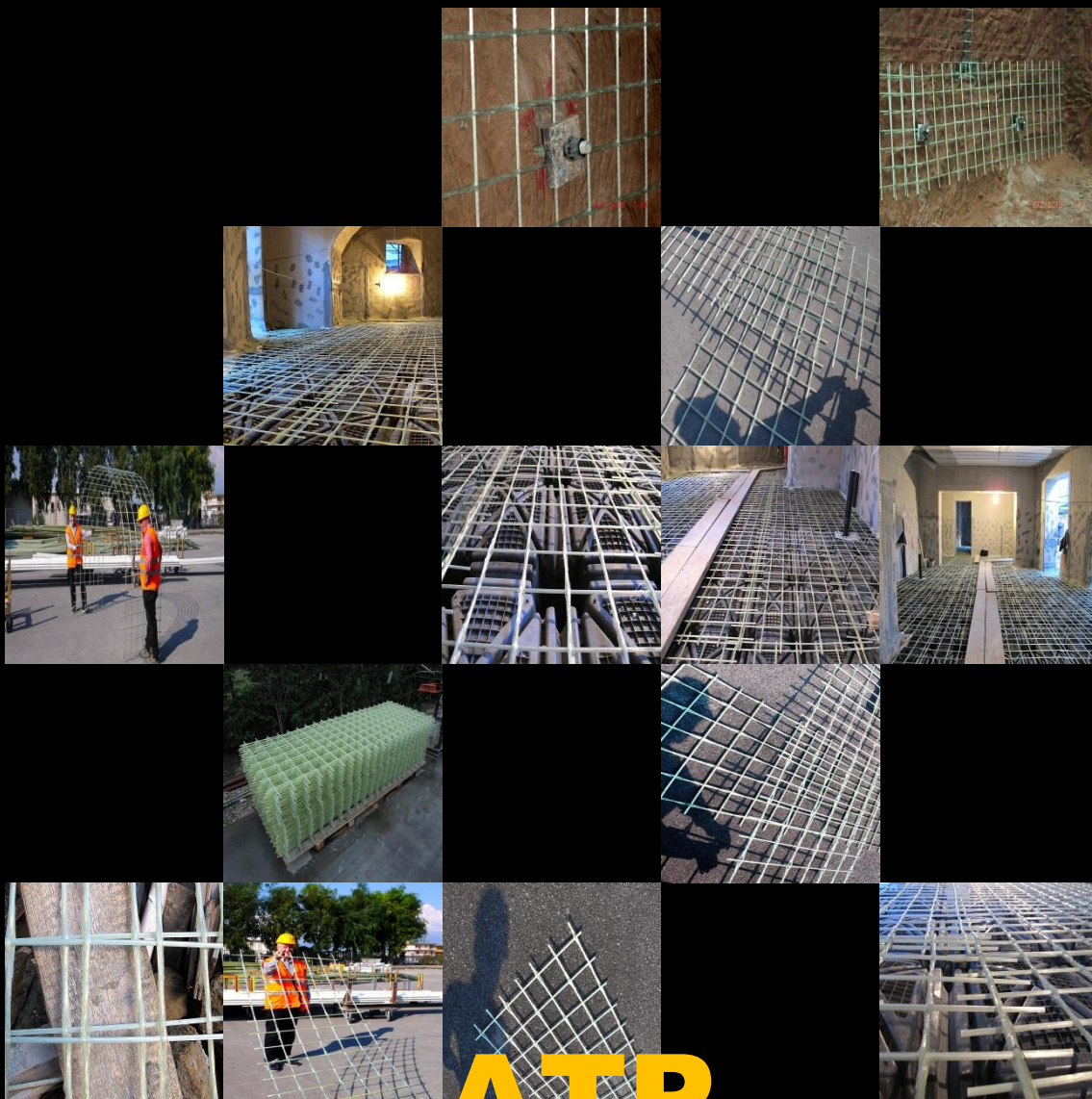
Diameter mm	Mesh mm	Total tensile strength KN	Weight Kg/m ²
8	150 x 150	230	1,3
8	200 x 200	170	1,0
10	150 x 150	350	2,1
10	200 x 200	270	1,6
12	150 x 150	500	3,0
12	200 x 200	380	2,3
15	150 x 150	800	4,7
15	200 x 200	600	3,5

Material (GFRP – Glass Fiber Reinforced Plastic)

	unit	value	Test method
Tensile strength	MPa	>700	App.B CNR DT203
Elastic modulus	GPa	>35	App.B CNR DT203
Elongation to break	%	1,5	App.B CNR DT203
Specific weight	g/cm ³	1,9 (±5%)	ISO - 1183

Geometrical and Physical Characteristics

	unità unit	valore value	Metodo di prova Test method
Density of the fiber	g/cm ³	2,55	ISO - 1183
Density of the resin	g/cm ³	1,1	ISO - 1183
TG of the resin (glass transition)	°C	>80	ASTM – E - 1640



ATP

Civil Works division

ATP srl - via Casa Pagano, 31 - 84012 Angri (SA) - tel +39 081 94 77 77 (pbx) - fax +39 081 94 77 40
- www.atp.sa.it -